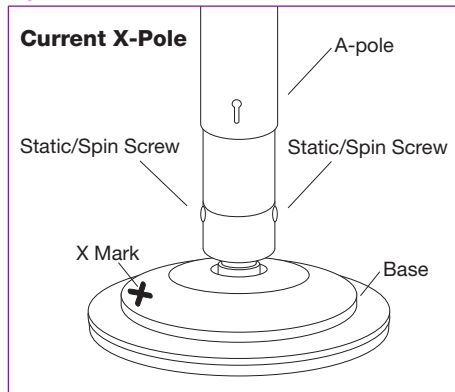


X-LOCK UPGRADE

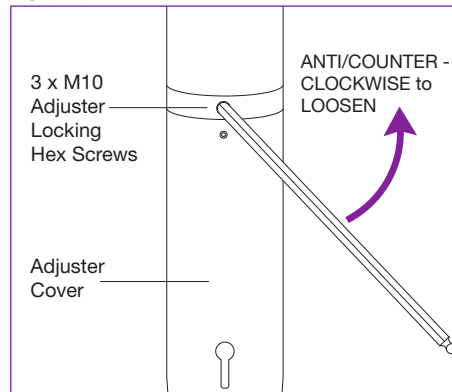
Thank you for purchasing the X-LOCK upgrade for your XPERT Studio/ one piece or standard multi piece pole. Considerable time and effort has been put into the design and creation of this item to ensure you have the best possible product. We thrive on positive input and constructive criticism, If you have a suggestion on how you feel we could improve this product or a change that could make it even better, please let us know. The following instructions will take you through a step by step process on how to upgrade your pole to X-LOCK. **The X-LOCK upgrade is only compatible with XPERT (NX) Poles**

Fig. (1.1)



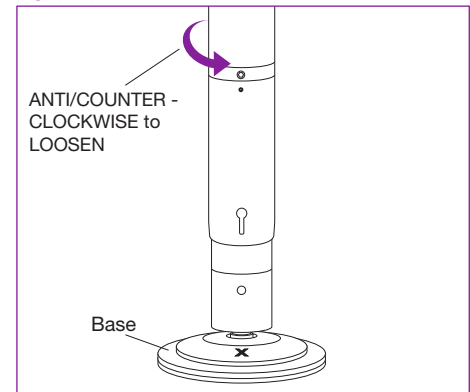
Place the A-pole and base vertical on the floor. Put your pole into static/locked mode by aligning the 2 screws with the X marks on the base and tighten.

Fig. (1.2)



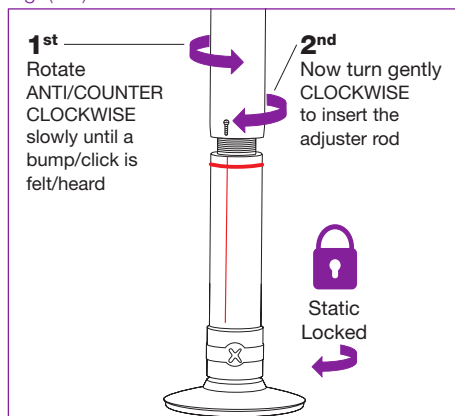
Remove the 3x M10 adjuster locking screws from the pole using a 5mm hex key. Ensure you keep the removed screws safe for installing the new X-LOCK adjuster unit.

Fig. (1.3)



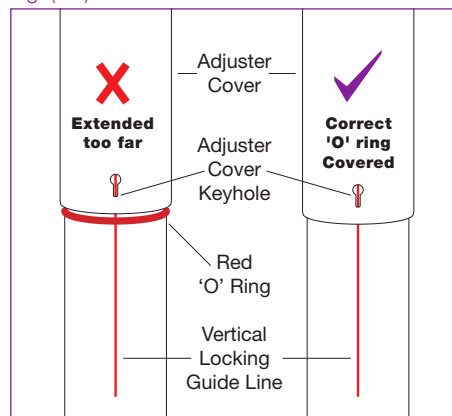
Rotate the A-pole tube anti/clockwise to remove it from the base & remove the A-pole completely from the adjuster rod. For ease, place your feet on the sides of the base when unwinding the A-pole. **BE CAREFUL THE A-POLE IS HEAVY.**

Fig. (1.4)



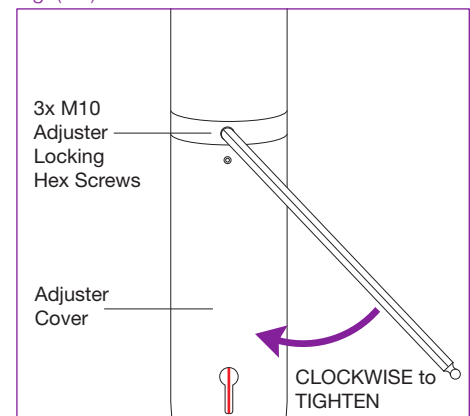
Place the X-LOCK upgrade adjuster on the floor & set it to static / locked mode. Place the A pole onto the adjuster rod and rotate slowly anti/ counter clockwise until a slight 'bump' is felt as the thread aligns. Now turn the A Pole clockwise until the adjuster rod is fully inserted. Continue to turn until fully attached.

Fig. (1.5)



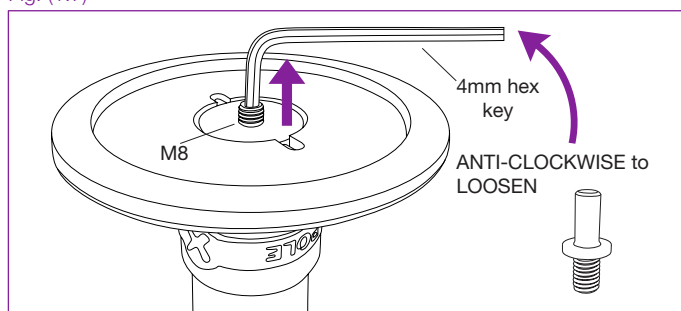
When expanding the adjuster, make sure the RED O-Ring is not visible. **ALWAYS** align the vertical red line with the adjuster cover key hole before replacing the 3x M10 adjuster locking screws. **FAILURE TO CORRECTLY ALIGN WITH THE RED LINE CAN DAMAGE YOUR POLE.**

Fig. (1.6)



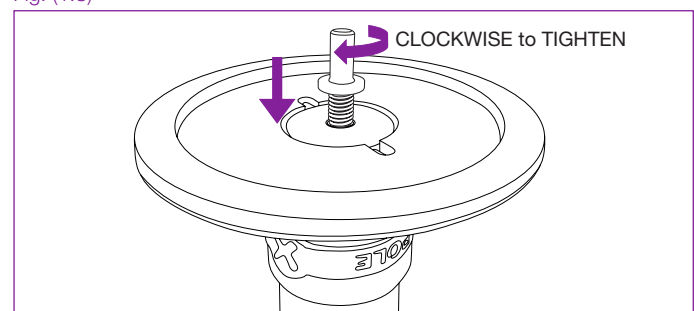
Expand the adjuster to the desired length, align the vertical red line with adjuster cover key hole and insert the 3x M10 adjuster locking screws and progressively tighten. **YOUR X-POLE XPERT HAS NOW BEEN UPGRADED TO X-LOCK.**

Fig. (1.7)



If using a pinned base, turn the X-LOCK Adjuster upside down and remove the M8 Base Screw using a 4mm hex key. Keep the screw safe as you may require it at a later date.

Fig. (1.8)



Replace the M8 screw with the pin supplied and tighten with suitable locking pliers until the threaded section of the pin is fully in the base.

⚠ CAUTION: It is advised to use two or more people to upgrade studio/competition poles due to weight & length.