

Instruction Manual

Please Read Fully
Before Installation

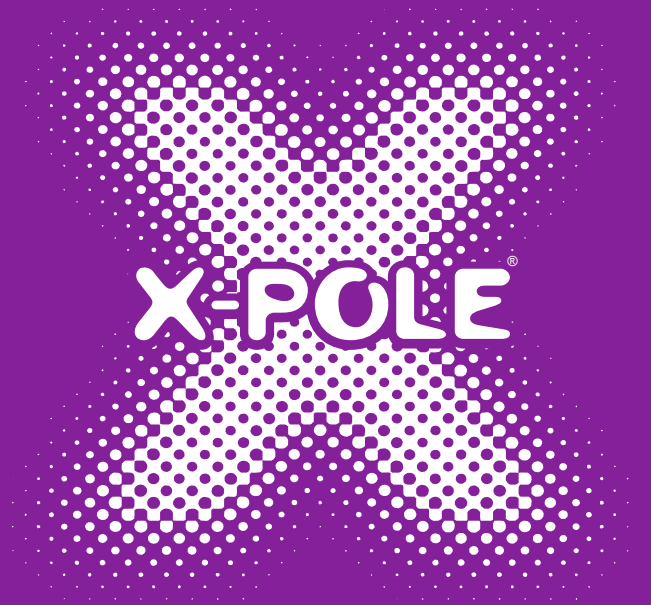
Welcome

“ Thank you for purchasing an X-POLE LyraPole.

We have spent countless hours researching, designing and creating it. Designed to satisfy both the poler and aerialist alike, the LyraPole combines both disciplines to produce a new type of artistry.

The LyraPole is only designed to work in conjunction with the X-STAGE range and is not recommended for use with any other pole manufacturers stage.

We are constantly innovating and looking for ways to improve our products; if you have constructive feedback on any X-POLE products, please send it to info@x-pole.co.uk. ”



Warnings



Prior to installation, remove the protective foam tubing around the LyraPole. Do not use a sharp instrument to do this, as you may damage the product.



You should select an appropriate space for your LyraPole, which will be covered on page four of this manual. Please be aware that the LyraPole can reach fast speeds when spinning.



The LyraPole should only be used by a maximum of two people at one time. If used by two people they must balance one another on the LyraPole.



It is mandatory that you check your LyraPole & X-Stage before use. Regularly check & maintain your aerial equipment.



All X-Pole products have been UK tested to meet stringent safety requirements.



Vertical Leisure Ltd, X-POLE International, X-POLE US Inc., their distributors, sales persons or any other persons or associated companies cannot be held responsible for any damage to property or injury to persons or third parties during the use of this product. By removing the LyraPole from its packaging and/or any use of the product confirms acceptance of the preceding warning and the users responsibility in using this product. Contact any X-Pole office for further details.

Product



Available in sizes 950mm & 1050mm Diameter

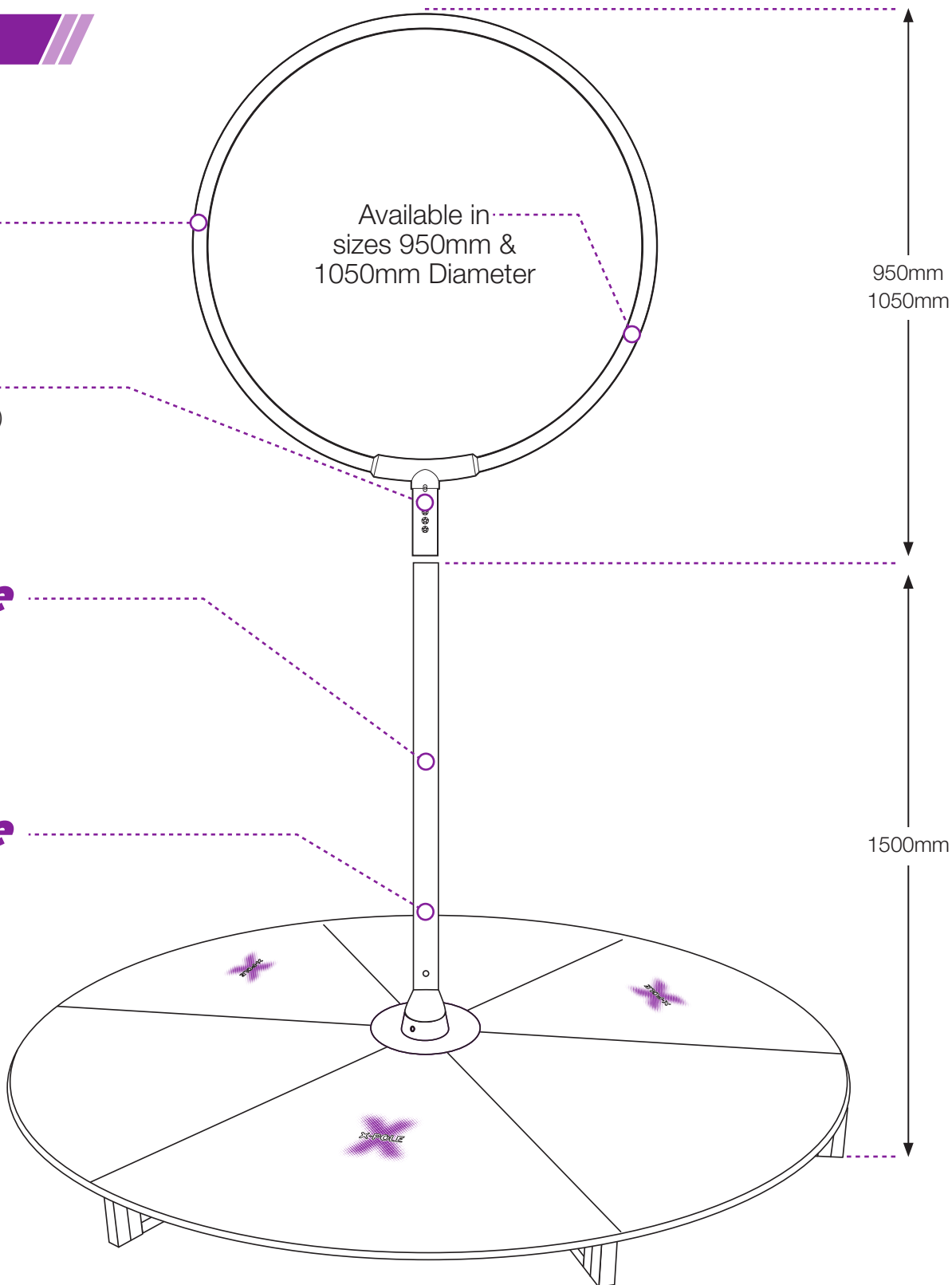
Joint (45mm Diameter)

X-Stage A-Pole

X-Stage

950mm
1050mm

1500mm



The Lyrapole is fully compatible with both X-STAGE and X-STAGE LITE and is a great way to add a new dimension to your X-Stage.



CAUTION: The LyraPole is designed to work only with the X-Stage range and you should not attempt to use it with any other manufacturers products. X-Stage designs & specifications may vary from drawing above, LyraPole attachment / installation remains the same.

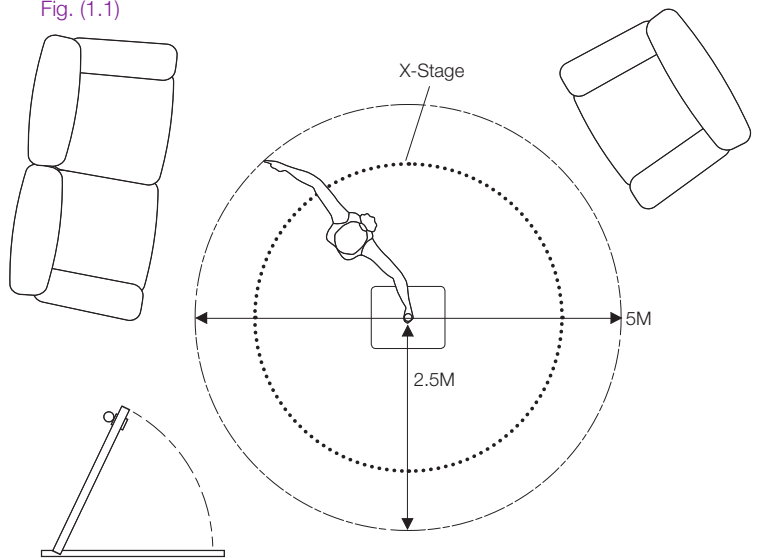
Dance Area

To use the LyraPole with the X-Stage & X-Stage Lite properly and safely, you need to be able to fully rotate around the pole with your arms outstretched and NOT be able to touch/hit anything whilst doing so.

This will require an area greater than the diameter of the stage itself all around the stage.

Therefore, the required area should be a minimum of 5m in diameter.

Fig. (1.1)



LyraPole Heights

Fig. (2.1)

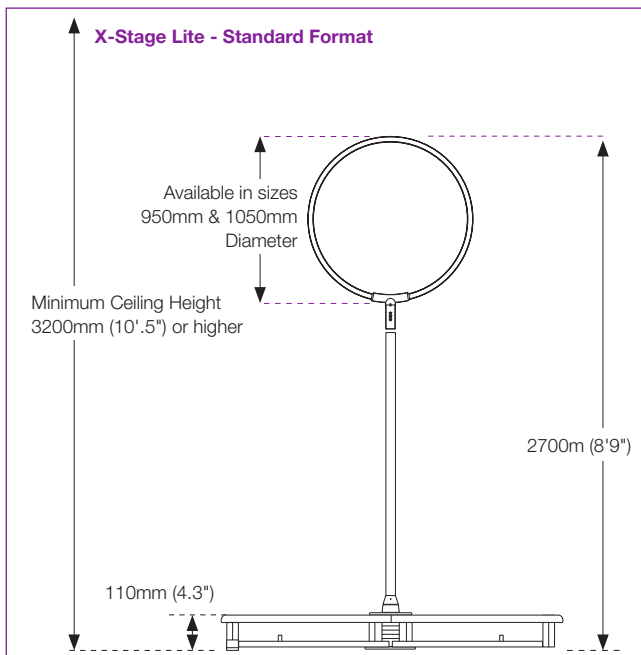
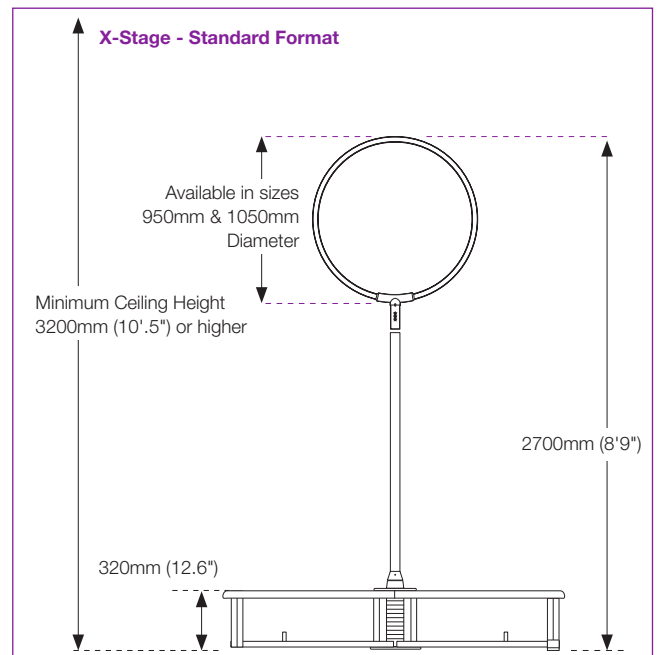


Fig. (2.2)



Before installing your LyraPole, you should check the ceiling height in the location you will be using. The X-STAGE base and A-Pole will be 1500mm tall. To be able to manoeuvre the LyraPole into place above the X-STAGE A-Pole, you will require a minimum ceiling height of 2700mm (8' 9" feet).



CAUTION: The LyraPole is only compatible with an X-Stage 45mm diameter A-Pole and is designed to be used with the A-Pole only.



CAUTION: With the X-STAGE on spin mode The LyraPole can spin at high speed, this can be dangerous and cause injury.

Inserting LyraPole

Fig. (3.1)

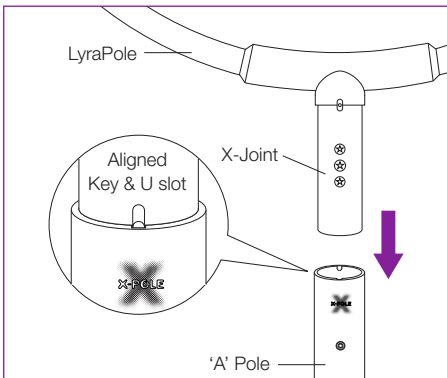


Fig. (3.2)

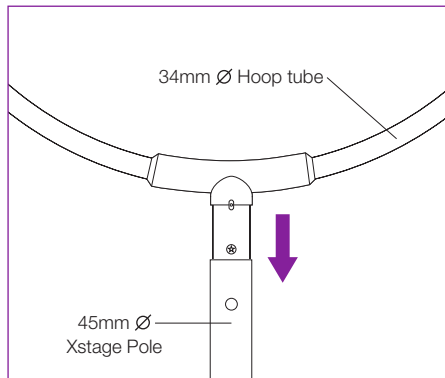
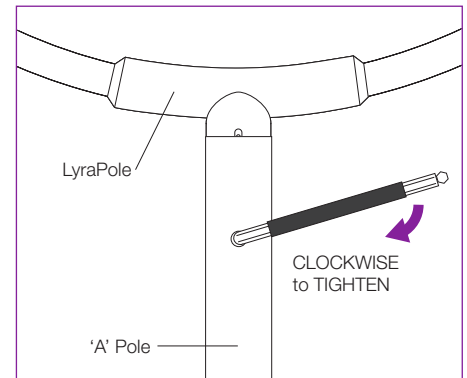


Fig. (3.3)



Align the X-JOINT on the bottom of your LyraPole with the hole in the XSTAGE A-POLE, so that the hex screw can be accessed.

Insert the LyraPole to the A-POLE and check for a snug fit using the keyway slots on the X-JOINT and the corresponding slots on the inside of the A-POLE.

Using a 6mm hex key, tighten the X-JOINT until the LyraPole is securely attached to the X-STAGE A-POLE. Check by lifting the hoop with sufficient pressure.

Additional stage weights (Highly Recommended)

Fig. (4.1)

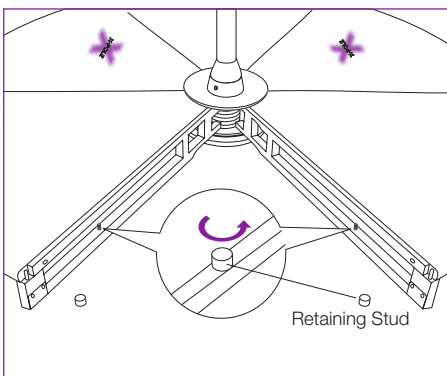


Fig. (4.2)

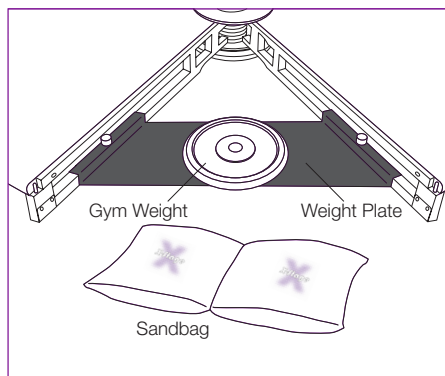
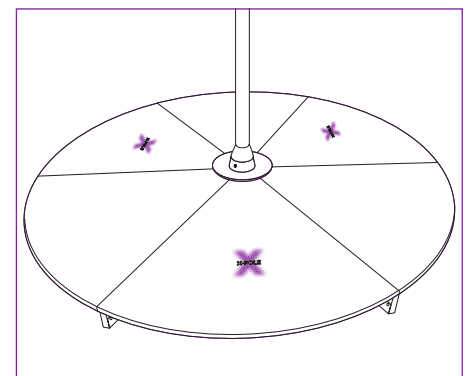


Fig. (4.3)



Remove one of the stage plates and locate the weight tray retaining caps on either frame Leg – completely unscrew the retaining caps and remove.

Place the weight plate over the exposed retaining screws and replace the retaining cap. Add the desired extra weight (10kg-30kg per section). Sandbags are available from your X-POLE dealer or standard gym weights are suitable too.

Replace stage plates, ensuring you have the spring pins under the plate unlocked, slide the stage plate under the central plate of the stage and continue until all plates are back in place. Ensure spring pins are in locked position.

X-POLE®

LEADERS IN POLE & AERIAL FITNESS

X-POLE UK & EUROPE

Email: sales@x-pole.co.uk
Tel: +44 (0) 208 449 4400
www.x-pole.co.uk

X-POLE USA

Email: info@xpoleus.com
Tel: +1 888 976 5387
www.xpoleus.com

X-POLE Australia

Email: sales@x-pole.com.au
Tel: +61 (0) 2 9589 2645
www.x-pole.com.au



X-POLE Korea

Email: xpolekorea@hanmail.net
Tel: +82 (0) 32 277 5882
www.xpolekorea.kr

X-POLE Asia

Email: sales@x-pole.asia
Tel: +86 (21) 6236 6090
www.xpolecn.com

X-POLE New Zealand

Email: sales@x-pole.co.nz
Tel: +64 (0) 9 528 0998
www.x-pole.co.nz

Warranty

This product has been manufactured and tested to the highest quality standards by X-POLE. This Limited Warranty offered by X-POLE covers defects in material or workmanship in new X-POLE products for a period of 6 months.

This warranty extends to the original purchaser only and is non-transferable. Only consumers purchasing X-POLE products from authorised X-POLE retailers or resellers or through the X-POLE website may obtain coverage under our limited warranties.

What is covered?

X-POLE warrants this product against defects in material or workmanship as follows:

X-POLE, at its own discretion, will replace at no charge for parts only or, at its option, replace any product or part of the product that proves defective because of improper workmanship and/or material, under normal installation, use, service and maintenance. If X-POLE is unable to provide a replacement and repair is not practical or cannot be made in a timely fashion, X-POLE may elect to refund the purchase price in exchange for the return of the product.

How Long Does The Coverage Last?

Our warranty periods are 6 MONTHS from the documented date of purchase, depending on the type of product and where it was purchased. This does not affect your statutory rights.

What Our Warranty Does Not Cover?

Our warranties do not cover any problem that is caused by:

- A. Conditions, malfunctions or damage not resulting from defects in material or workmanship.
- B. Conditions, malfunctions or damage resulting from (1) normal wear and tear, improper installation, improper maintenance, misuse, abuse, negligence, accident or alteration.
- C. Accessories, connected materials and products, or related products not manufactured by X-POLE.
- D. Defects from use, wear and tear, chipped edges from pole to pole contact or being dropped and anything outside of a pure manufacturing defect are not covered.

Due to the high specification mirror finish, small tube surface blemishes or stress lines may be visible. These do not detract away from the quality of use of the pole and are only cosmetic issues.

POWDER COATED POLES ONLY: The Powder Coating is susceptible to damage if the pole is dropped or scratched in any way. When installing X-Joints/adding extensions, be careful not to damage the powder coating.

DO NOT USE CHEMICAL BASED CLEANERS ON POWDER COATED, SILICONE & BRASS POLES.